

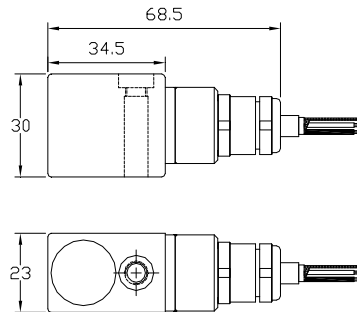


MTN/1100ISW

Intrinsically safe industrial accelerometer Atex Group II approved.
Not to be mounted in a high velocity dust laden atmosphere

Applications

- Submersible Pumps
- Roll Monitors
- Paper machinery



Technical Specification

Standard Sensitivity	100 mV/g $\pm 10\%$ Nominal at 80 Hz
Frequency Response	2 Hz to 10 kHz $\pm 5\%$ (-3 dB at 0.8 Hz)
Mounted Base Resonance	18 kHz (nominal)
Isolation	Base isolated
Transverse Sensitivity	Less than 5%
Electrical Noise	0.1 mg max
Current Range	0.5 mA to 8 mA
Bias Voltage	12 Volts DC (nominal)
Operating Temperature Range	-25 to 90 °C
Case Material	Stainless steel
Cable Type	Integral Polyurethane Cable.

Warning

This cable has additional hosing around it manufactured from PTFE plastic, which has a surface resistivity of greater than 1 Gohm and therefore poses a risk from electrostatic ignition. Care should be taken not to install the cable in a high velocity, dust laden atmosphere

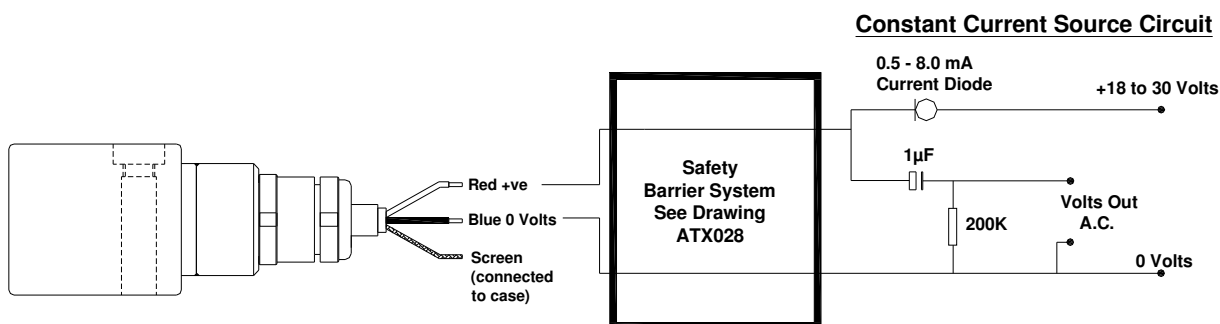
Submersible Depth	100 metres maximum (10 bar)
Weight	200 gms (nominal)
Sealing	IP68
Mounting Torque	8Nm
Maximum Cable Length	See system drawing ATX028
Certificate Details: Group II	BAS02ATEX1057X E II 1GD T70°C EEx ia IIC T6 (-55°C \leq Ta \leq +65°C)
Warning ref Group II	The Ci and Li were previously lower. The installer must take account of the increase in internal capacitance and inductance present on this apparatus
System Connection	Drawing ATX028
Terminal Parameters	Ui = 28V, li = 93mA, Pi = 0.65W see certificate for Ci & Li
500V Isolation	Units will pass a 500V isolation test
Barrier	1 x MTL7728+ (BAS01ATEX7217) or P&F Z728 (BAS01ATEX7005) or any other barrier that conforms to note 5 of ATX028

Mounting and Sensitivity

ORDER CODE PART No	MOUNTING BOLT PROVIDED	xx = OPTIONAL SENSITIVITY RANGE AVAILABLE ($\pm 10\%$)
MTN/1100ISW-xx	1/4"-28 UNF x 33mm	10 mV/g
MTN/1100ISWM6-xx	M6 x 35mm	25 mV/g
MTN/1100ISWM8-xx	M8 x 28mm	30 mV/g
		50 mV/g

Options	Connector, Various cable length, Optional mounting, other sensitivities (see table).
----------------	--

Measuring System Connection



Barrier Enclosures		
Product Code	Type	Capacity
MTN/MH145	DX430	33 Barrier Capacity